

User Guide

Please read this instruction manual before using your water dispenser.



**BOTTOM LOAD
BOTTLED WATER DISPENSER**

**MODEL BAEB1SHSK
506335C**

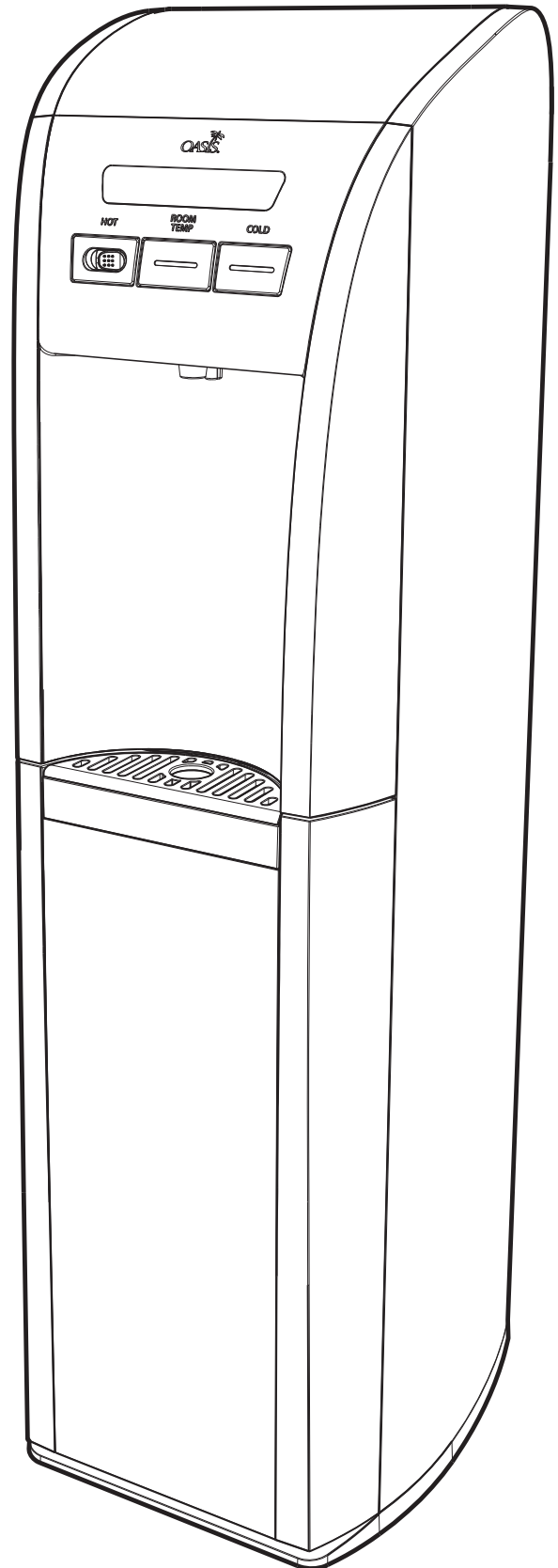


TABLE OF CONTENTS

IMPORTANT SAFEGUARDS	pg 3
GROUNDING INSTRUCTIONS	pg 3
TECHNICAL SPECIFICATIONS	pg 4
PRODUCT DIAGRAM	pg 4
INSTALLATION	pg 5
PREPARING THE WATER DISPENSER FOR USE	pg 5
INITIAL SETUP	pg 5
ADJUSTING THE SIPHON TUBE FOR SMALLER BOTTLES	pg 6
OPERATION	pg 6
CLEANING AND MAINTENANCE	pg 7-8
TROUBLESHOOTING	pg 9

This device complies with Part 15 of the FCC Rules.

Operation is subject to the following two conditions:

- (1) this device may not cause harmful interference.
- (2) this device must accept any interference received, including interferences that may cause undesired operation.

Purchasing an Oasis Water Dispenser was a GREAT choice!

This unique design offers the benefits of:

- No more struggling to lift heavy water bottles!
- No more spills during water bottle installation!
- No more unsightly bruised or battered recycled water bottles!
- Waterways stay cleaner between regular cleaning and maintenance!

Please read the enclosed operating instructions carefully and retain this booklet for future reference. We have carefully engineered your water dispenser to provide years of enjoyment and trouble-free operation.

IMPORTANT SAFEGUARDS

- This dispenser is equipped with a grounded power cord plug for your safety.
- Do not operate this (or any other appliance) with a damaged power cord. Be sure that the plug is fully inserted into the GFCI outlet and that no other appliance is plugged into the same outlet.
- Do not run the power cord over carpeting or other heat insulators, and do not cover it. Avoid laying the cord in high traffic areas, and never submerge it in water.
- Do not use an extension cord as it may overheat, increasing the risk of fire.
- If the supply cord is damaged, contact Oasis or a qualified electrician to replace it before plugging it in.
- Never turn the dispenser upside down. If the dispenser has been resting on its side for a long period of time, place the it in the upright position for approximately 12 hours before using.
- For use with 3 or 5 gallon (12 or 19 liter) water bottles.
- Never allow children to dispense hot water without proper and direct supervision.
- Always use known and microbiologically-safe bottled water.
- Keep your dispenser in a dry place away from direct sunlight.
- Do not use this dispenser outdoors.
- Never put anything flammable close to the dispenser.
- Leave a minimum clearance of 6 in (15 cm) in back and on both sides of the dispenser for proper ventilation.
- Always install your dispenser on a level floor.
- Wait 5 minutes before restarting the dispenser after turning it off.
- Always unplug the dispenser before servicing.
- Regular cleaning of your dispenser is required to maintain your warranty.
- Please follow the cleaning instructions outlined in this manual and clean the dispenser every 6 months.

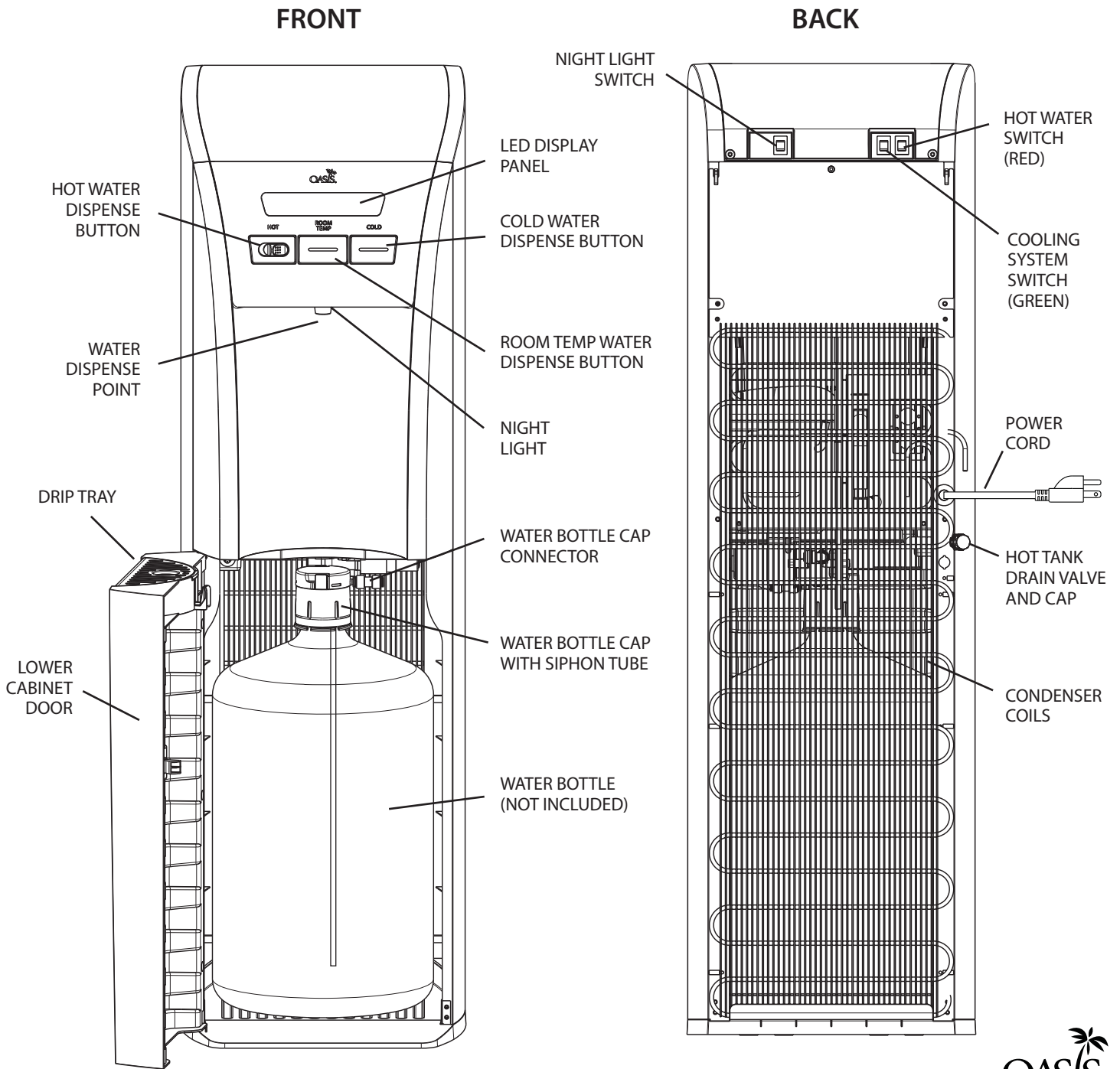
GROUNDING INSTRUCTIONS

- To provide additional protection from the risk of shock, this dispenser **MUST** be connected to a ground fault circuit interrupter (GFCI) outlet at all times. Use of an extension cord will void any warranties.
- This appliance must be grounded. Improper use of the grounding plug can result in a risk of electric shock, causing serious injury and possibly death.
- This appliance is equipped with a power cord having a grounding wire with a grounding plug and must be connected into a properly-grounded, polarized outlet.
- Consult a qualified electrician if the grounding instructions are not completely understood, or if doubt exists as to whether the appliance is properly grounded. If the wall outlet is a standard, 2-prong outlet, it is your personal responsibility and obligation to have it replaced with a properly-grounded, 3-prong wall outlet.
- Do not under any circumstances cut or remove the third (ground) prong from the power cord plug.
- Do not use an adapter plug with this appliance.

TECHNICAL SPECIFICATIONS

MODEL	506335C	HOT WATER/HR	0.9 GAL (3.5 L)
RATED VOLTAGE	115V - 60Hz	COLD WATER/HR	0.7 GAL (2.5 L)
HEATING POWER	420W	HOT WATER TEMP. RANGE	165°F - 194°F (73.9°C - 90°C)
COOLING POWER/CURRENT	90W/1.5A		
COOLANT	R134a 36g		

PRODUCT DIAGRAM



INSTALLATION

1. After unpacking, wipe dispenser with soft cloth.
2. Place the dispenser on a hard, flat surface, making certain it is level. The dispenser should not be placed near direct sunlight or any other source of heat.
3. It is best to place the dispenser in an area with good air circulation. Make sure there is at least 6 in (15cm) of clearance in back and on both sides of the dispenser for proper ventilation.

WARNING: The hot tank drain plug on the back of the dispenser may loosen during shipping. Securely tighten the drain plug before starting the dispenser. A loose drain plug may leak, causing floor damage.

PREPARING THE WATER DISPENSER FOR USE

This model is different from a traditional water dispenser with the water bottle upside down on the top. Instead, the water bottle is placed upright in the lower cabinet with a pump drawing the water up to the dispenser.

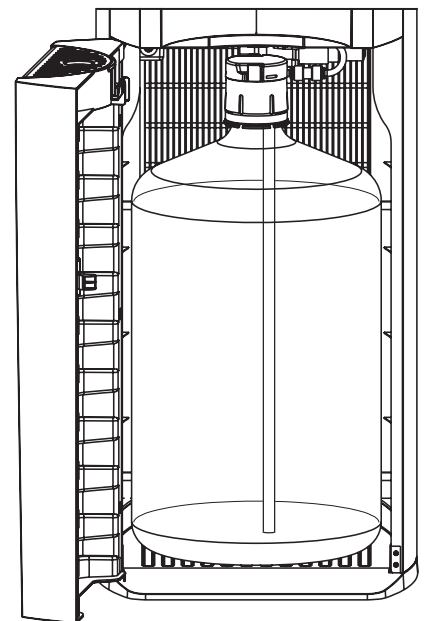
IMPORTANT:

- Clean the top of the water bottle before installing.
- Always wash your hands first before handling the water bottle cap.
- Avoid handling the siphon tube. If necessary, remove the tube, wash with soapy water and rinse thoroughly before reinstalling into the water bottle cap.
- Much like a new refrigerator with an ice maker or water dispenser, it is recommended to run 1 to 2 gal (3.8 to 7.6 L) of water through the system before the first use.

INITIAL SET-UP

IMPORTANT: MAKE SURE THE DISPENSER IS NOT PLUGGED INTO AN ELECTRICAL OUTLET AND THAT BOTH THE COOLING SYSTEM AND HOT WATER SWITCHES ARE OFF.

1. Open the lower cabinet door.
2. Place full water bottle on floor in front of the dispenser. Remove the plastic cap from the mouth of the bottle.
3. Insert the siphon tube into the mouth of the water bottle and press the water bottle cap firmly over the mouth of the bottle.
4. Slide the siphon tube down until it reaches the bottom of the bottle.
5. Slide the bottle inside the cabinet and close the lower cabinet door.
6. Plug the dispenser into a grounded GFCI power outlet. The water pump will turn on for several minutes to fill the cold and hot tanks.
7. Once the pump has stopped, place a container under the water dispense point and press the hot water dispense button until water flows freely.
8. Turn ON both the cooling system and hot water switches located on the back of the dispenser. If you are not going to use hot water, turn the hot water switch OFF to conserve energy.
9. The first time the dispenser is used, you will have to wait at least 1 hour for cold water and 15 minutes for hot water.



NOTE: If there is not a secure connection between the water bottle cap and the water bottle cap connector, the water pump will operate but water will not dispense. Make sure this connection is secure.

NOTE: Please wait until the water pump stops running before using the dispenser. If the water tanks are not full, water will not dispense.

ADJUSTING THE SIPHON TUBE FOR SMALLER BOTTLES

Your new water dispenser features a water bottle cap with siphon tube that can accommodate either a 3 or 5 gallon (12 or 19 liter) water bottle.

The water bottle cap and siphon tube assembly is shipped in it's default configuration for use with a standard 5 gallon (19 liter) bottle. For proper operation, make sure the collar of the water bottle cap is sealed tightly to the neck of the bottle. (Fig. 1)

To adjust the siphon tube length, squeeze the clips on the top of the water bottle cap together to release it from the collar. (Fig. 2)

Raise or lower the siphon tube to the proper depth into the bottle. (Fig. 3)

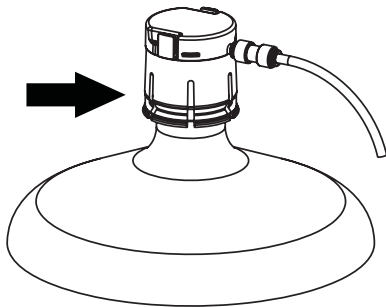


Fig. 1

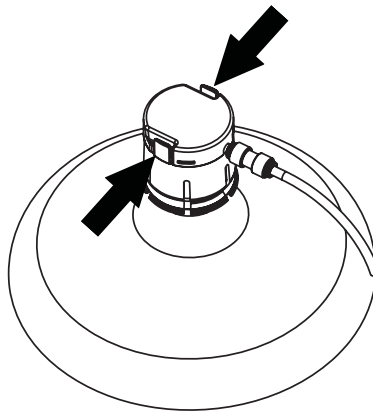


Fig. 2

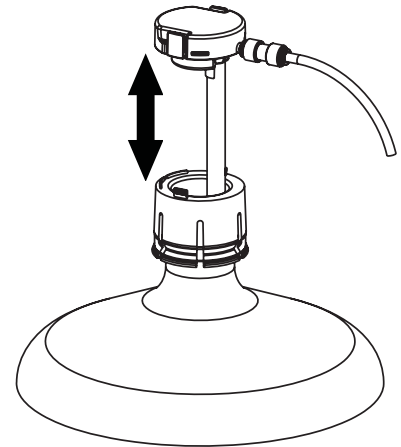






Fig. 3

OPERATION

The water dispenser has 4 indicator lights on the front panel.

- When the  indicator light is on, the dispenser has power.
- When the  indicator light is on, the dispenser is heating water inside the heated water tank.
- When the  indicator light is on, the dispenser is in the process of cooling water inside the cooling tank.
- When the  indicator light is on, there is no water left in the water bottle and it needs to be replaced. Replace the water bottle, and close the door to reset the dispenser. The dispenser will work again and the indicator light will turn off.



LED DISPLAY PANEL

Using the Water Dispenser

- To dispense HOT water, slide the red safety lock to the left and press the hot water dispense button all the way down.
- To dispense ROOM TEMP water, press the room temp water dispense button all the way down.
- To dispense COLD water, press the cold water dispense button all the way down.

CLEANING AND MAINTENANCE

For maximum efficiency and performance, your water dispenser requires cleaning on a regular basis (ie. every 6 months). Regular cleaning will prevent potential growth of bacteria and will maintain a hygienic environment. Never use harsh chemicals or abrasive cleaners.

Cleaning the Outside of the Water Dispenser

The outside of the dispenser may be wiped clean with a cleaning solution product or a mild soap and water mixture and a soft cloth. Rinse thoroughly with clean water and dry.

Cleaning the Drip Tray

The drip tray should be emptied and cleaned regularly to remove spotting and any mineral deposits.

To remove the drip tray, lift the tray upward, dislodging it from the guides. Drain and clean with cleaning solution or a mild soap and water mixture. For tough deposits, add vinegar and let it soak until the deposits loosen. Then wash, rinse and dry thoroughly. Replace the grill on the drip tray and slide it onto the guides.

Cleaning the Condenser

Vacuum or sweep away the dust from the condenser coils. This will improve cooling and efficiency.

Cleaning The Waterways

IMPORTANT: TURN OFF THE HOT AND COLD WATER SWITCHES BEFORE PERFORMING THIS PROCEDURE.

1. Make sure the power cord is plugged into an electrical outlet.
2. Open the lower cabinet door, pull the bottle forward out of the dispenser and place on the floor.
3. Remove the water bottle cap and siphon tube from the bottle and hang on the hook located on the inside of the lower cabinet door.
4. Drain the cold reservoir by placing a container under the water dispense point and pressing the cold dispense button until water stops flowing. Discard water. Note that the pump will continue to operate for approximately 30 seconds, followed by a flashing yellow bottle empty light.
5. Using a clean container, mix 8 cups (2 L) of white vinegar with 8 cups (2 L) of hot water. Place the container on the floor of the bottle storage compartment. Insert the siphon tube into the cleaning solution, keeping the container upright, and close the lower cabinet door. The water pump will start automatically and run for several minutes to draw the cleaning solution into the dispenser reservoirs. Once the pump has stopped, dispense 0.5 cups (0.12 L) of water from each of the 3 dispense buttons. Allow the cleaning solution to sit inside the dispenser for 20 minutes.
6. Place a container under the water dispense point and press the hot, room temp, and cold water dispense buttons until the cleaning solution stops flowing. Discard cleaning solution. The pump will continue to operate for approximately 30 seconds, followed by a flashing yellow bottle empty light.
7. Using a container, drain the remaining cleaning solution from the internal hot tank by unscrewing the hot tank drain cap located at the back of the dispenser. Discard the cleaning solution. Re-install the hot tank drain cap.
8. Flush out the cleaning solution by repeating Steps 5-7 using 16 cups (4 L) of fresh hot water (no cleaning solution). The cleaning process is now complete.
9. Replace the water bottle. (See INITIAL SET-UP)

NOTE: To conserve energy when not using the dispenser for a long period of time, unplug the dispenser and drain the reservoirs.

CLEANING AND MAINTENANCE

Draining the Reservoirs

IMPORTANT: UNPLUG THE DISPENSER BEFORE PERFORMING THIS PROCEDURE.

1. Dispense hot water from the water dispense point until the temperature drops to a safe level to avoid the risk of scalding.
2. Remove the water bottle.
3. Press all 3 dispense buttons until water no longer comes out.
IMPORTANT: Collect the water in a container, not the drip tray.
4. Place a container beneath the hot tank drain valve on the back of the dispenser.
5. Remove the hot tank drain cap from the hot tank drain valve, allowing the water to flow into the container.
6. Re-install the hot tank drain cap.

TROUBLESHOOTING

PROBLEM	POSSIBLE CAUSE	SUGGESTION
Water does not dispense.	Dispenser is unplugged.	Plug the dispenser into a grounded GFCI power outlet.
	Main power supply is off.	Re-establish main power supply.
	The lower cabinet door is open.	Close door and allow time for pump to fill the reservoirs.
	The water bottle is empty.	Replace water bottle. (See INITIAL SETUP)
	The connection between the water bottle cap and the water bottle cap connector is not secure.	Properly secure connection.
	System has malfunctioned.	Remove water bottle and unplug the dispenser. Contact dealer.
Cold water does not dispense.	Cooling system switch is OFF.	Turn cooling switch ON.
	Too much cold water consumed in a short period of time.	Wait 15 minutes for the water to cool.
	The ventilation around the dispenser is insufficient.	Provide at least 6 in (15 cm) of clearance on all sides of the dispenser.
	System has malfunctioned.	Remove water bottle and unplug the dispenser. Contact dealer.
Hot water does not dispense.	Hot water switch is OFF.	Turn hot water switch ON.
	Too much hot water has been consumed in short period of time.	Wait 15 minutes for the water to heat.
	System has malfunctioned.	Remove water bottle and unplug the dispenser. Contact dealer.
Dispenser is noisy during operation.	The dispenser is not level.	Place the dispenser on a level, flat surface.
	Dispenser is touching other objects.	Move dispenser away from other objects.
Water leaks from the water dispense point.	The buttons are stuck down.	Check for foreign objects in the button area.
	The water dispense point has been damaged.	Contact Oasis Customer Service. 1-800-646-2747
Water is dripping out of the dispenser and onto the floor.	The hot tank drain cap is not fastened properly.	Tighten the drain cap. If the seal inside the drain cap is torn or damaged then replace with a new one.
	The connection between the water bottle cap and the water bottle cap connector is not secure.	Properly secure connection.
	The hot or cold water tank is leaking.	Remove water bottle and unplug the dispenser. Contact dealer.
The water being dispensed has a strange taste.	This is not uncommon with new dispensers.	The taste usually goes away after the first bottle has been used.
	Dispenser requires cleaning.	Clean the siphon tube and waterways. (See CLEANING AND MAINTENANCE)



Water Friendly Solutions



Oasis International

222 East Campus View Blvd. | Columbus, Ohio 43235 U.S.A.

1-800-646-2747 | info@oasiscoolers.com | www.oasiscoolers.com

OASIS and Aquarius are registered trademarks of LVD Acquisition, LLC dba Oasis International

©2017 LVD Acquisition, LLC